

CITRUS JUICER #70



Internationally patented models



A powerful and robust citrus juicer

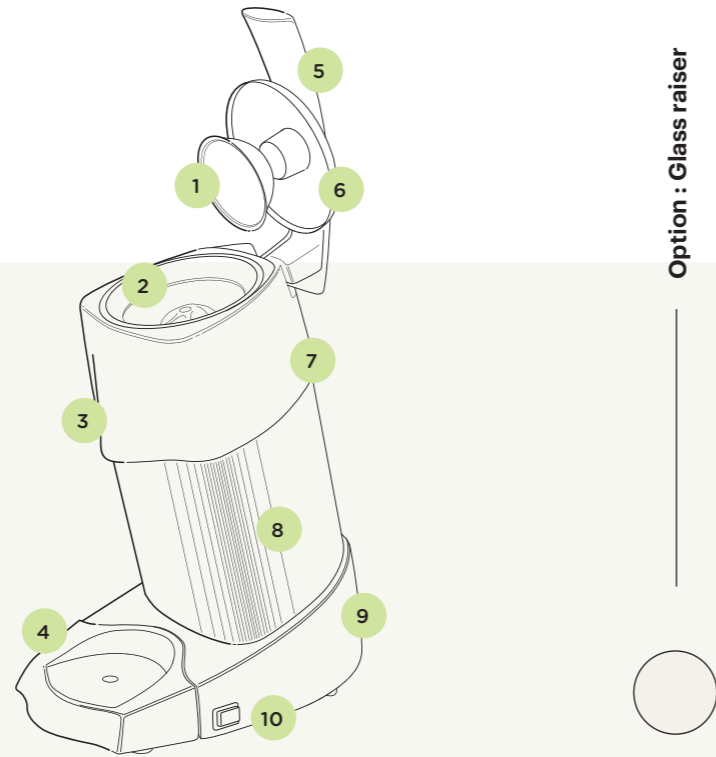
Thanks to its high output and its powerful induction motor, this lever citrus juicer is adapted to intensive use.

Easy to use thanks to its universal squeezer, it extracts the juice from all types of citrus (ex: lemon, orange and grapefruit...), but also from pomegranates.

Its high spout accepts all types of glasses and pitchers.



50l/h



Option : Glass raiser

- 1 **Removable** stainless steel cup
- 2 **Removable** stainless steel bowl and squeezer
- 3 **High spout:** 220mm (8.6")
For all kinds of glasses and jugs
- 4 **Removable** drip tray
- 5 **Ergonomic** articulated lever
- 6 **NEW Flexible** cover for quiet use
- 7 **Patented clutch system** for automatic start/stop of the cone
- 8 **Heavy duty and quiet** asynchronous motor
- 9 **NEW Seals** for vibration reduction
- 10 **Waterproof** switch

The professional art of juicing Since 1954

We have the juicer adapted to your needs, to make juice by the glass or in a jug.

Equipped with professional, robust and powerful motors, they are designed to quickly press all types of citrus. They are very easy to clean: all parts in contact with food are removable.

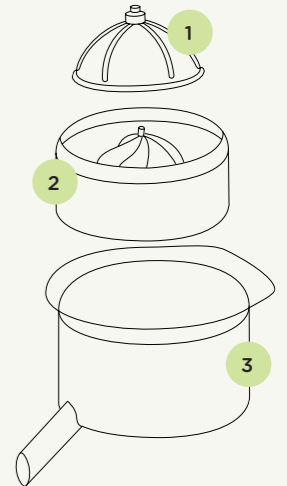


Easy to clean

All parts in contact with fruits are removable, which allows a simple and quick cleaning.
1 Cup, 2 Squeezer, 3 Bowl.

Professional quality

Heavy duty and quiet asynchronous motor
High output: 50l/h
Silence: 65 dBA. Allowing use in front of customers.



Safety, standards, hygiene

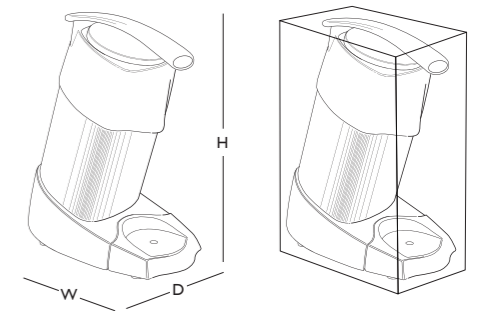
In accordance with the following regulations	Machinery directive 2006 / 42 / EC
	Electromagnetic compatibility 2014 / 30 / EU
	"Low voltage" directive 2014 / 35 / EU
	RoHS directive 2011 / 65 / EU
	Regulation 1935 / 2004 / EC (contact with food)
Harmonized European Standards	WEEE Directive 2012/19/EU
	EN 1672-2+A1:2009
	EN ISO 12100:2010
	EN 60204-1+A1:2009
	EN 60335-2-64:2004 Commercial electric kitchen machines
CE Marking, UL (USA) and cUL (Canada), NSF (USA)	
Thermal safety	Motor protected by internal thermal detector and overload protector
Electrical safety	All mechanical parts are ground connected Appliances are 100% tested after assembly
Acoustic Safety	Silent asynchronous motor
Hygiene	All removable parts can be put in a dishwasher or easily cleaned with hot soapy water

Technical specifications

Motor

Single phase:
220-240 V - 50/60 Hz - 300 W
CE, NSF, KC
100-120 V - 50/60 Hz - 350 W
CE, NSF, UL

Speed:
1 500 rpm (50 Hz)
1 800 rpm (60 Hz)



Appliance

W: 240 mm (15,7")
D: 400 mm (9,5")
H: 490 mm (19")
Weight:
13,4 Kg (28,6 lbs)

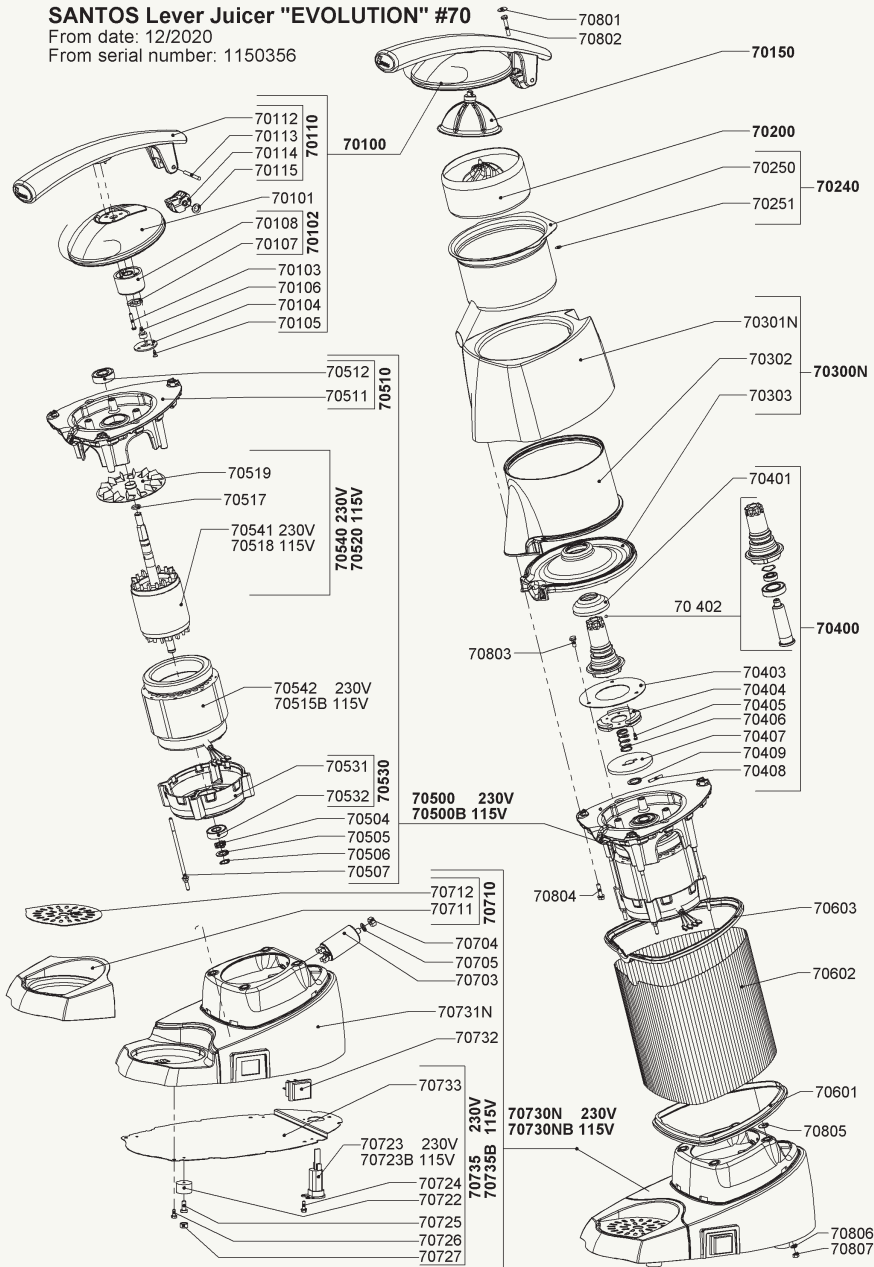
Shipping box

W: 280 mm (11")
D: 440 mm (17")
H: 540 mm (22")
Weight:
14,45 Kg (31 lbs)

PRODUCT: 2-YEAR WARRANTY | **MOTOR:** 5-YEAR WARRANTY

SANTOS Lever Juicer "EVOLUTION" #70

From date: 12/2020
From serial number: 1150356



SANTOS

140-150 avenue Roger Salengro
BP 80 067
69511 Vaulx-en-Velin Cedex (Lyon) FRANCE

Tel: +33 472 37 35 29
Fax: +33 478 26 58 21
Email: santos@santos.fr
www.santos.fr

Follow us on [#santosaddict](#)
social networks

